

'Tee' TYPE STRAINERS

Type 407 - ANSI #150 lb to #2500 lb

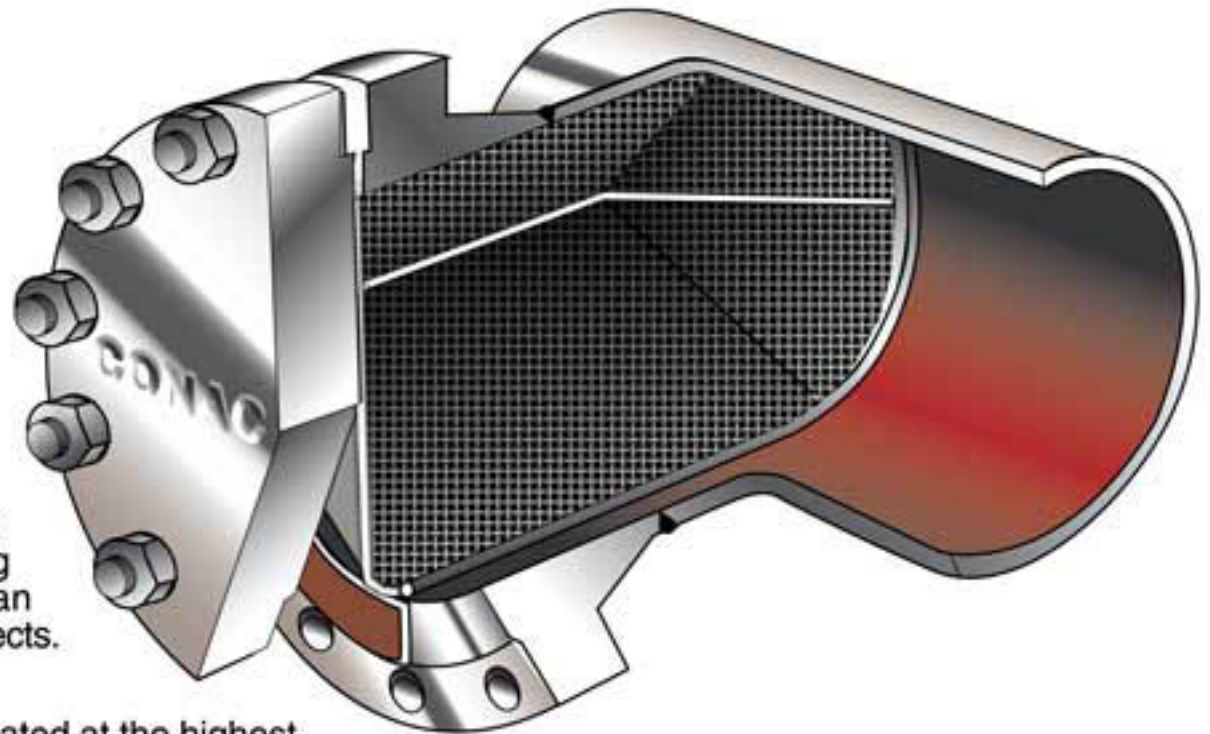
Butt-welding Tee body
Flanged Cover
Sizes 2" to 48"
Flanged or Butt-Welding Ends

For more than twenty years CONACO™ strainers have been considered as the industry standard for the protection of valves, pumps, turbines and any other pipeline equipment requiring a contaminant-free operation.

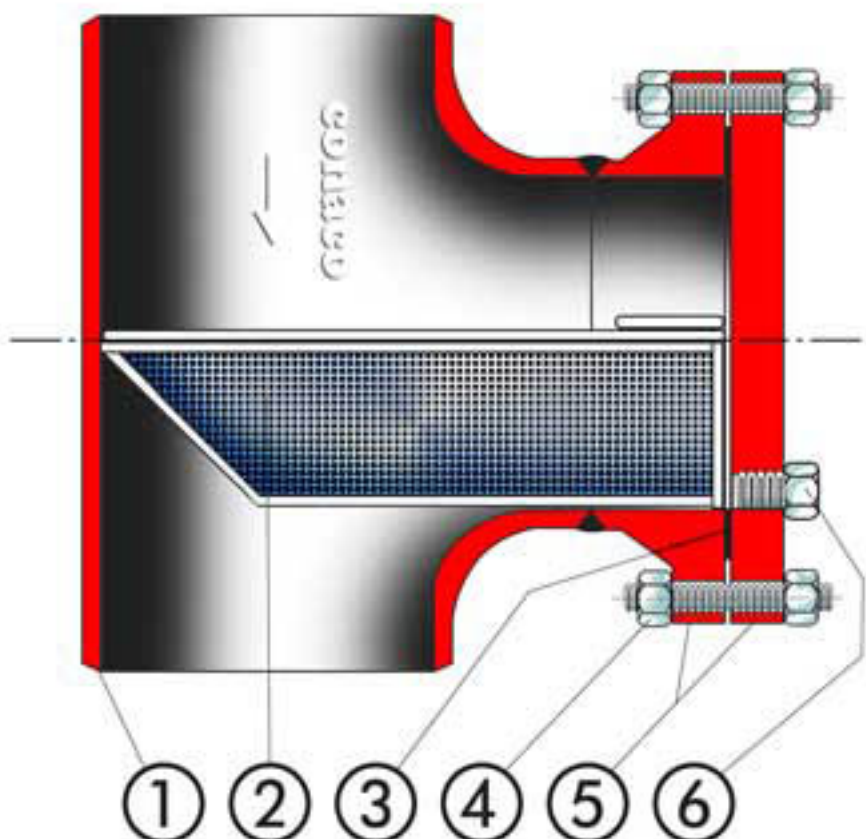
CONACO™ strainers have been chosen as the original equipment for the most exacting applications, from North Sea and Canadian offshore platforms, to desert water supply projects.

Features:

- CONACO™ 'Tee' type strainers are fabricated at the highest industrial standards from ANSI tee fittings and flanges .
- The basket frame is carefully hand-adjusted to ensure a close match between body and basket.
- The basket is manufactured with perforated plate or wire mesh (or both) in stainless steel or other resisting alloys to customers' requirements.
- Guide rods of the same material of the body allow an easy removal of the basket for cleaning or replacement.
- Different basket shapes are available to meet pressure drop requirements.
- An exclusive proprietary software can calculate the pressure drop for any design condition and strainer configuration.
- Full traceability of all parts of all strainers ever produced.
- Quality System to ISO 9001
- **CE** marking



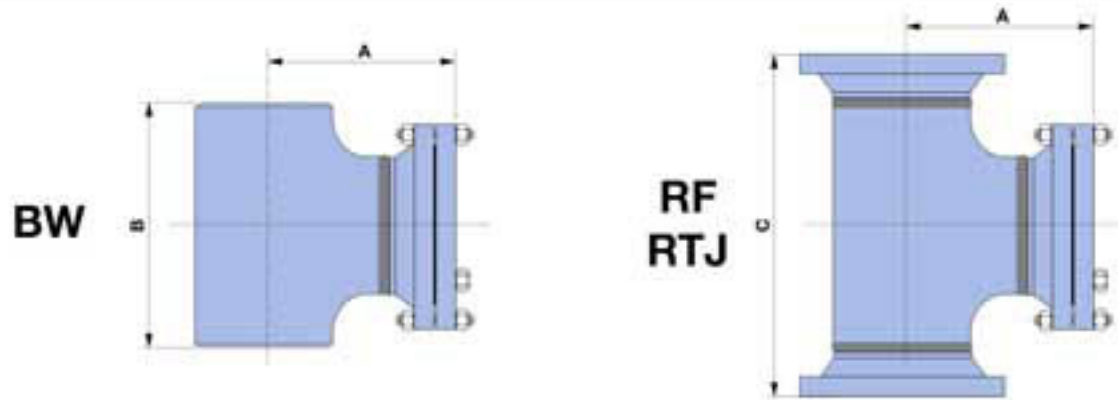
Parts List and Standard Materials



Other materials available.

① Body	② Screen	③ Gasket
ASTM A234 WPB ASTM A234 WP1 ASTM A234 WP5 ASTM A234 WP9 ASTM A234 WP11 ASTM A234 WP22 ASTM A420 WPL6 ASTM A420 WPL9 ASTM A403 WP304 ASTM A403 WP304L ASTM A403 WP316 ASTM A403 WP316L ASTM A403 WP321 UNS S31803 UNS S32760 UNS S31254 ALUMINIUM BRONZE	AISI 304 AISI 316 AISI 316L DUPLEX STEEL 6MO MONEL HASTELLOY INCONEL	SP.WND St. STEEL+GRAPHITE RING JOINTS
⑥ Bolting	④ Plug	⑤ Cover
ASTM A193 B7-A194 2H ASTM A320 L7-A194 Gr.4 ASTM A193 B8-A194 Gr.8	ASTM A105 ASTM A350 LF2 ASTM A182 F1 ASTM A182 F5 ASTM A182 F9 ASTM A182 F11 ASTM A182 F22 ASTM A182 F304 ASTM A182 F304L ASTM A182 F316 ASTM A182 F316L ASTM A182 F51 ASTM A182 F44 ALUMINIUM BRONZE	ASTM A105 ASTM A350 LF2 ASTM A182 F1 ASTM A182 F5 ASTM A182 F9 ASTM A182 F11 ASTM A182 F22 ASTM A182 F304 ASTM A182 F304L ASTM A182 F316 ASTM A182 F316L ASTM A182 F51 ASTM A182 F44 ALUMINIUM BRONZE

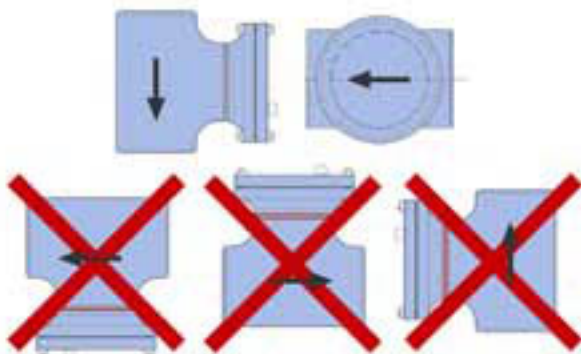
SIZE	B	Class 150 lb				Class 300 lb				Class 600 lb				Class 900 lb				Class 1500 lb			
		A	C	Kg BW	Kg RF	A	C	Kg BW	Kg RF	A	C	Kg BW	Kg RF	A	C	Kg BW	Kg RTJ	A	C	Kg BW	Kg RTJ
2"	127	148	254	9	15	159	267	13	20	177	286	15	25	223	346	31	43	223	346	31	43
3"	172	182	312	16	26	197	331	23	37	215	350	24	41	246	391	36	66	269	422	58	78
4"	210	207	363	24	38	225	382	38	62	259	426	52	88	284	455	60	108	300	473	87	117
6"	286	260	464	43	65	280	483	71	111	323	534	100	172	359	581	126	226	416	648	201	272
8"	356	310	559	71	107	333	578	109	171	382	636	158	270	424	696	211	381	505	804	342	467
10"	432	351	635	111	161	384	667	181	269	448	750	269	451	492	816	330	585	600	963	568	772
12"	508	403	737	161	239	438	768	256	384	492	832	340	550	555	924	455	795	686	1102	854	1157
14"	560	445	814	222	324	480	846	354	530	530	903	438	692	603	1008	583	980	740	1187	1188	1615
16"	610	472	864	273	393	511	902	449	675	575	979	589	945	635	1065	700	1148	795	1268	1593	2163
18"	686	526	966	332	474	565	1004	553	821	626	1067	744	1176	700	1169	940	1540	865	1375	2096	2836
20"	762	572	1051	422	598	609	1086	688	1038	676	1156	928	1464	764	1283	1171	1920	948	1508	2689	3624
24"	864	635	1169	600	838	673	1201	982	1458	753	1283	1311	2071	895	1480	2040	3400	1080	1718	4254	5770



- Dimensions and weights are approximate.
- Standard blow off plug 3/4" NPT.
- Standard screen wire net mesh 3.
- Flanged ends to ANSI B16.5.
- BW ends to ANSI B16.25.

Optional Special Features

- CONNECTIONS: Clamps or special flanges
 SCREEN: Double or triple layers (mesh on perf. plate, mesh on mesh).
 BASKET: Standard bath-tub, dutch shoe, special shapes.
 COVER: Davit or hinge
 DRAIN: Any combination of nipples, flanges, valves and plugs
 LINING: Epoxy
 COATING: Any painting cycle



Installation

- Install the strainers as close as possible to the item to be protected.
- The arrow on the strainer body must point to the direction of the flow.
- For installation on horizontal pipelines, the basket must be horizontal.
- Allow enough room for the removal of the basket.
- Never install a strainer on vertical pipelines with upwards flow.

How To Order

Always specify: type - rating - end connections - size - body/screen material - filtering degree - drain type

Example: No 1 Type 407 - #300RF - 10" - WPB/304 - 3 mesh - 3/4" NPT Plug

Ask our technical department for the correct sizing with the lowest pressure drop for your application.

Other Conaco Strainers

Product	Data Sheet
150 to 2500 lb 1/2" to 1.1/2" type 777 'Y' Strainers	700.9710
150, 300, 600 lb, flanged cover, type 707 'Y' Strainers	701.9710
900, 1500, 2500 lb flanged cover, type 707 'Y' Strainers	702.9710
1500 & 2500 lb, pressure seal, type 707 'Y' Strainers	703.9710
800 lb forged type 767 'Y' Strainers	704.9710
Type 444 'Top Hat' Strainers	444.9710
150, 300, 600 lb cast, Type 507 'Basket' Strainers	507.0309



Via V. Monti, 81
 20145 Milano (Italy)
 Tel: +39 0248 15055
 Fax: +39 0248 16670
 e-mail: sales@conaco.it
 www.conaco.it